

## ASTROS



## Orange Buoyant Smoke Signal, SOLAS/MED/USCG

Code: 74789

- SOLAS/MED/USCG approved
- Covers carriage requirements for commercial vessels and recreational boats/crafts
- Safe for use near oil or petrol-covered water
- Easy and safe handling
- Small, light, with a flat top
- Dense orange smoke for at least 3 minutes
- Can be used for indication of wind direction
- Compact design for easy stowage in liferafts
- Exceptional performance even in harsh weather conditions

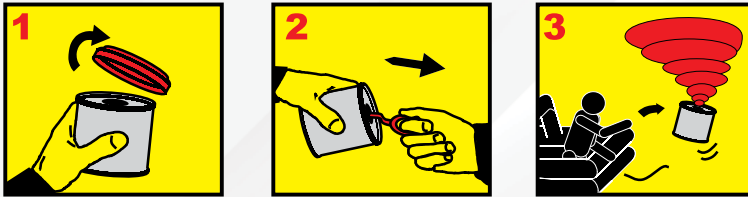


Made in Greece

### APPLICATION

Emergency signal for position marking during rescue operations in daytime. SOLAS requires two pieces in lifeboats and liferafts.

### INSTRUCTIONS FOR USE



1. Remove the plastic cap.
2. Pull the ring firmly away from the canister.
3. Throw the signal overboard immediately. Smoke will be emitted after 3 seconds delay.

### PACKING

- Fibreboard Box: 24 pcs
- Measurements: 365 x 280 x 237 mm
- Weight: Gross 9,72 kg // Net 9,12 kg
- NEC: 6,24 kg

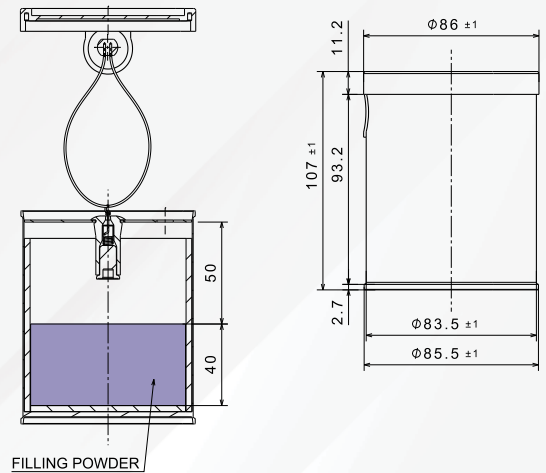
### HAZARD INFORMATION

- Hazard Class 1.4S
- UN 0506
- Proper Shipping Name: Signals, Distress, Ship
- Other Information: Can be shipped by Passenger & Cargo Aircraft

### SPECIFICATIONS

Dimensions:  $\varnothing 86 \pm 1$  mm  
 Height:  $107 \pm 1$  mm  
 Weight: 380 g  
 NEC: 255 g

Burning Time: min 3 minutes  
 Flame Colour: Orange  
 Ignition: Pull-wire with 2 seconds delay



### STORAGE

Store in a dry place at ambient temperature.

Combine with:  
 Storage Bottle code 198265.  
 Dry Bag code 74636.

### WARNING

**APPROVED FOR DAYTIME USE ONLY.** To prevent hazards and injury use only in accordance with instructions and observe all warnings. May cause burns or injury if used improperly.



- For outdoor distress signalling use only
- Produces dense orange smoke-do not inhale
- Product becomes hot during operation
- Do not use if damaged or dented
- Do not dismantle
- Keep away from source of heat
- Keep out of reach of children
- If injured, seek medical advise
- Do not use after expiration
- Minimum safety distance: 1 m
- Category P1, Age limit: 18 years
- Don't fire the article if you can not clearly control the absence of people within the safe firing distance and/or the hazard zone.

### DISPOSAL

Dispose of the product in accordance with the local regulation.